

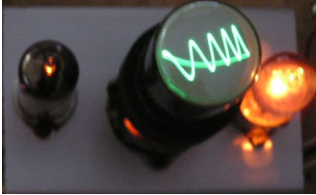
TinyScope: K3IMW prototype

Written by Hans Summers

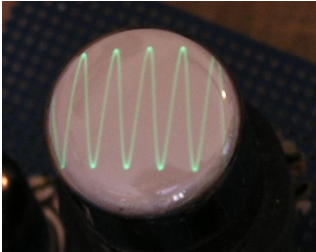
Saturday, 07 November 2009 23:38 -

Ian did all the hard work on this, then sent it to me! THANKS IAN! Here are some details of Ian's work.

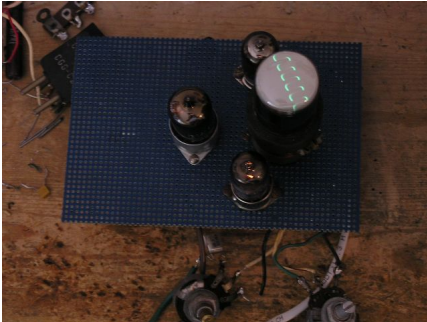
This is the first version Ian made, which uses only two valves + CRT. But the horizontal linearity isn't very spectacular.



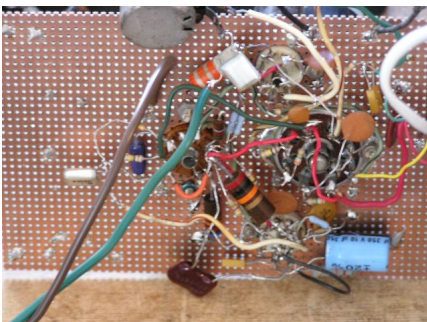
Then Ian replaced the horizontal timebase with a phantastron circuit, adding an additional valve - but look at the fantastic linearity!



Square wave



At some point Ian might have asked me not to show his tidy construction. But I can't remember ANYTHING!

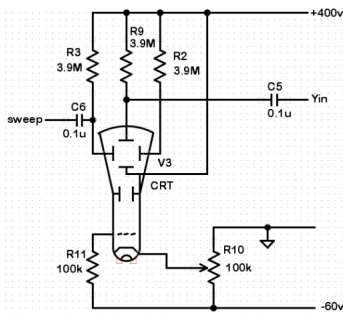
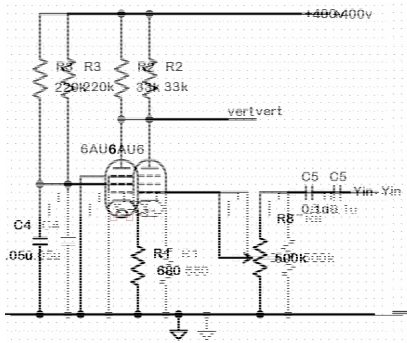
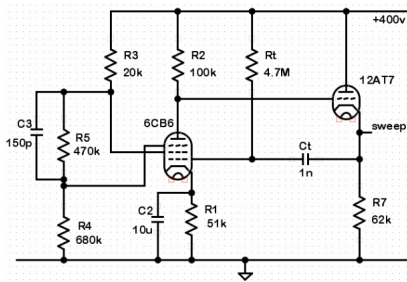


TinyScope: K3IMW prototype

Written by Hans Summers

Saturday, 07 November 2009 23:38 -

Ian's schematics:



The actual built circuit did not correspond precisely with the ones Ian sent me. The diagrams on the [parent page](#) are correct.