

## TinyScope: K3IMW prototype

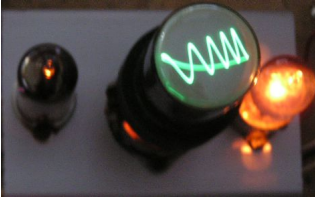
Written by Hans Summers

Saturday, 07 November 2009 23:38 -

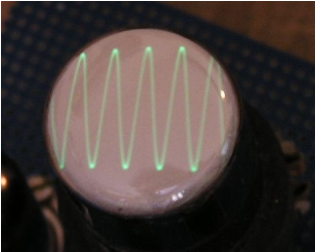
---

Ian did all the hard work on this, then sent it to me! THANKS IAN! Here are some details of Ian's work.

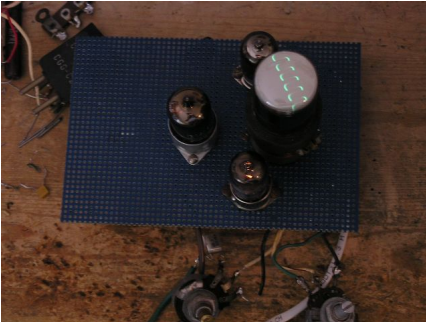
**This is the first version Ian made, which uses only two valves + CRT. But the horizontal linearity isn't very spectacular.**



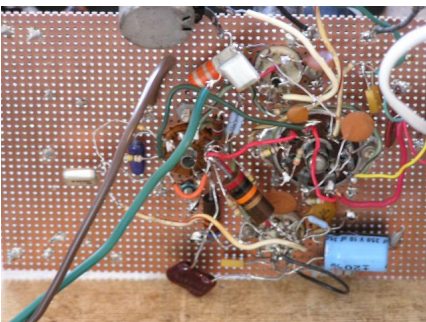
**Then Ian replaced the horizontal timebase with a phantastron circuit, adding an additional valve - but look at the fantastic linearity!**



### Square wave



**At some point Ian might have asked me not to show his tidy construction. But I can't remember ANYTHING!**

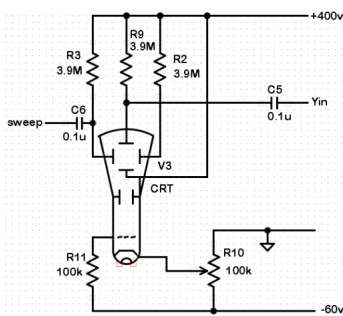
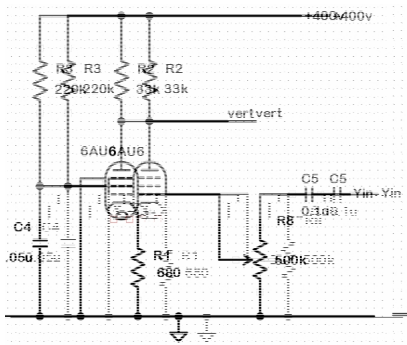
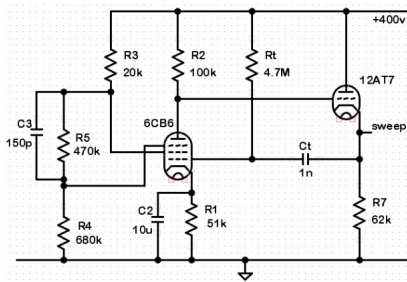


# TinyScope: K3IMW prototype

Written by Hans Summers

Saturday, 07 November 2009 23:38 -

## Ian's schematics:



The actual built circuit did not correspond precisely with the ones Ian sent me. The diagrams on the [parent page](#) are correct.